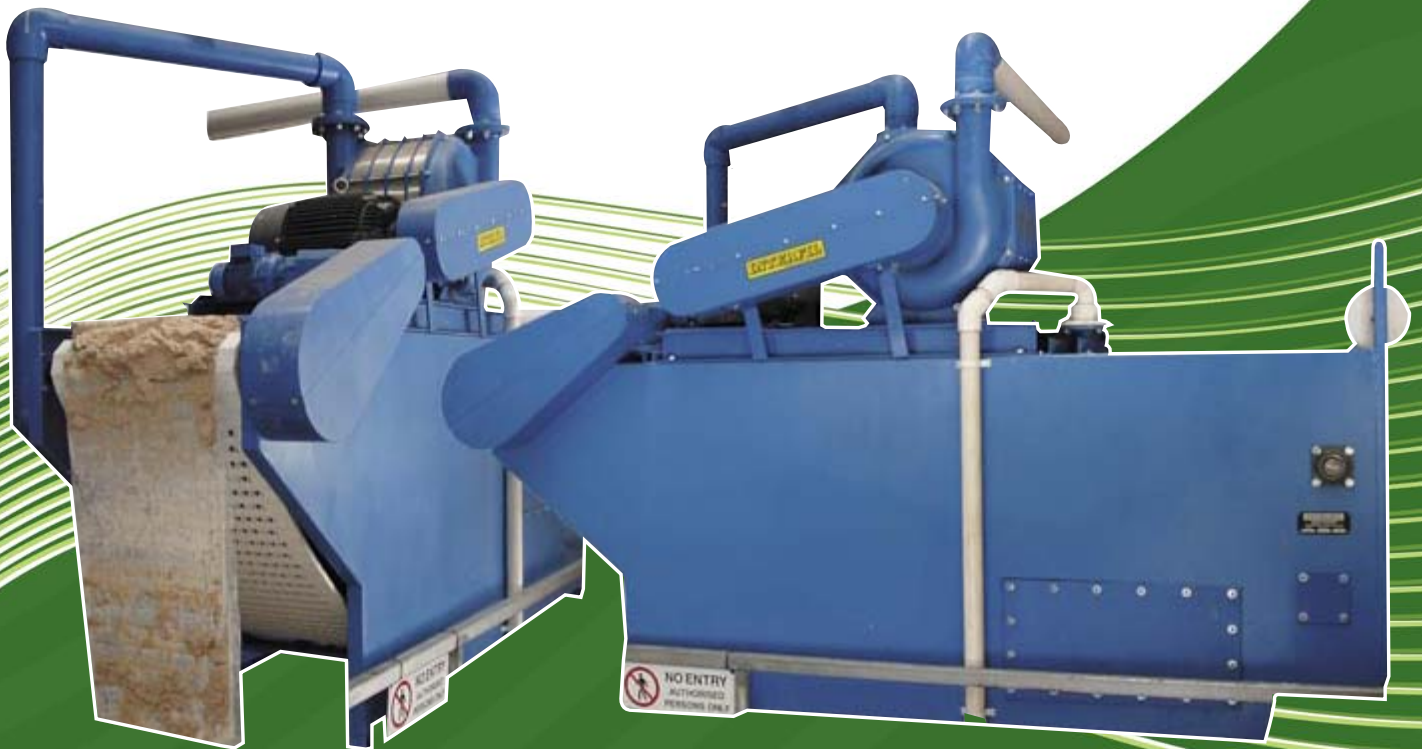




interfil

## Waste Water Sludge Dewatering



## ◆ INTERFIL RF6/300 Gravity Deck Filter Low Flow



### Waste Water Solutions offering:

- Drier waste suitable for landfill
- Cleaner water for recycling purposes
- Fully automatic
- Gravity Dewatering Deck
- Drier discharge sludge to waste
- Heavy duty design
- Built to outlast
- Turn key Systems available
- Full Installation/design including mixing tanks/pumps and auxiliary components supplied
- Testing available

## ◆ INTERFIL Sludge Dewatering Vacuum Filter RF6 / 300 High Flow



### Waste Water Solutions offering:

- Drier waste suitable for landfill
- Cleaner water for recycling purposes
- Fully automatic
- Vacuum Dewatering Deck
- High forces generated for greater throughput
- Drier discharge sludge to waste
- Heavy duty design
- Built to outlast
- Turn key Systems available
- Full Installation/design including mixing tanks/pumps and auxiliary components supplied
- Testing available

## ◆ INTERFIL Sludge Dewatering Systems

The Interfil Sludge Dewatering systems have been servicing industrial waste since 1987. Its simple design makes processing easy with little to no operating of the system. The system is designed for removal of liquid from solids for moderate to low flows at moderate to high dirt loads. The end product being clean water suitable for sewer and solids being spadable suitable for landfill. Two system types are offered, one having the Interfil vacuum producer, the other relying on gravity only. The high forces generated from the vacuum producer increases flow through-put and a substantially drier cake.

## ◆ Vacuumatic Principles

Most process waste water problems necessitates for a final sludge disposal requirement; such as incineration, trucking or land fill. Interfil sludge dewatering systems offer a simple economical approach to sludge dewatering.

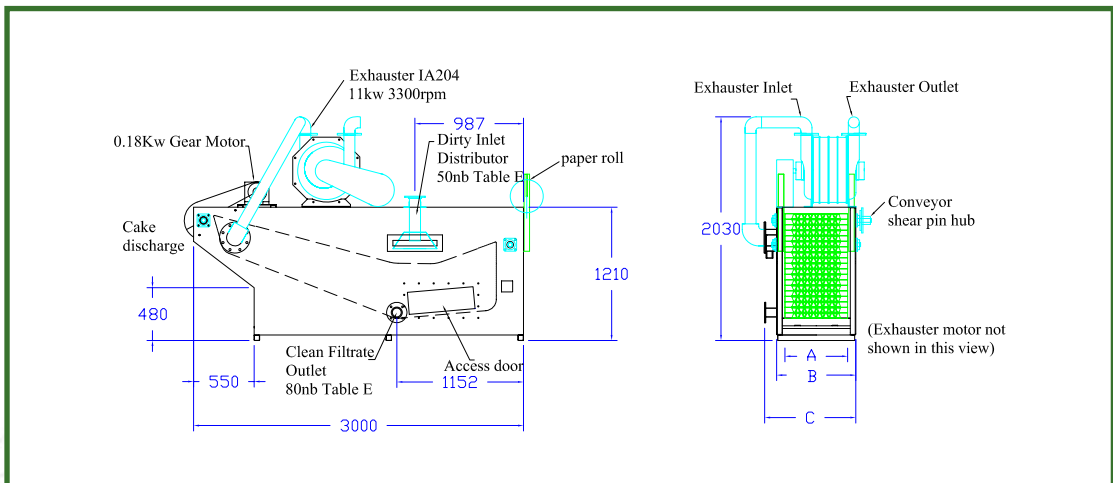
Sludge from Daf units, clarifiers, settling tanks and other common sources can be dewatered to practical limits, automatically with the Interfil sludge dewatering systems without high operator costs.

## ◆ Operation

Interfil sludge dewatering systems consist of a heavy duty tank supporting a continuous conveyor belt. A vacuum producer draws air from beneath the conveyor belt as liquid is pumped or gravity fed to the filter. The liquid is drawn through the disposable membrane and heavy solids caught. The volume of air passing through the cake does most of the work in drying it. As the cake thickens, the vacuum increases and, at a preset limit the vacuum switch signals the belt to advance. The now dry cake is discharged into a bin and the cycle continuous.

The systems are fully automatic and designed for continuous feed with no operator participation.

- ◆ Continuous uninterrupted operation
- ◆ Totally automatic
- ◆ Small, compact and robust design
- ◆ Save expensive disposal fees by installing the Interfil Sludge Dewatering System



Model	Nominal Flow Rate	Reservoir Capacity	A	B	C
RF6/300-580 Gravity	0.6 m3/hr	350 Litres	580mm	720mm	830mm
RF6/300-720 Gravity	1 m3/hr	415 Litres	720mm	860mm	970mm
RF6/300-1040 Gravity	1.5 m3/hr	570 Litres	1040mm	1180mm	1290mm
RF6/300-1450 Gravity	2 m3/hr	770 Litres	1450mm	1590mm	1700mm
RF6/300-580 Vacuum	1.2 m3/hr	350 Litres	580mm	720mm	830mm
RF6/300-720 Vacuum	2 m3/hr	415 Litres	720mm	860mm	970mm
RF6/300-1040 Vacuum	3 m3/hr	570 Litres	1040mm	1180mm	1290mm
RF6/300-1450 Vacuum	4 m3/hr	770 Litres	1450mm	1590mm	1700mm

- Flow rates are based on typical flows with typical dirt loading
- Tests should be conducted to determine suitable size for your application

## Contact Us

Phone 02 9533 4433

Fax 02 9534 6313

Email [sales@interfil.com.au](mailto:sales@interfil.com.au)

Web [www.interfil.com.au](http://www.interfil.com.au)

2/66 Barry Ave

Mortdale NSW 2223

PO Box 72

Penshurst NSW 2222